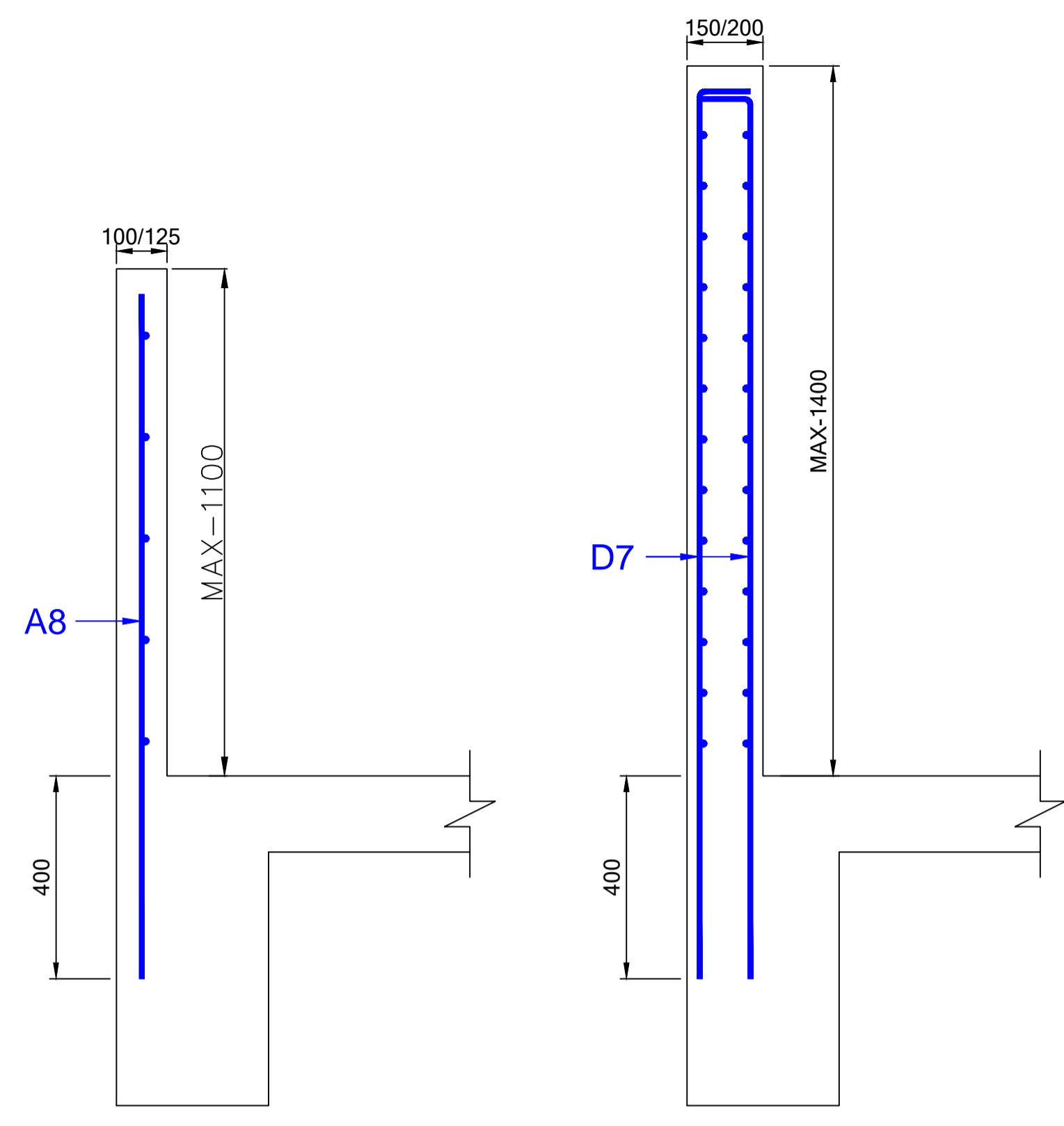
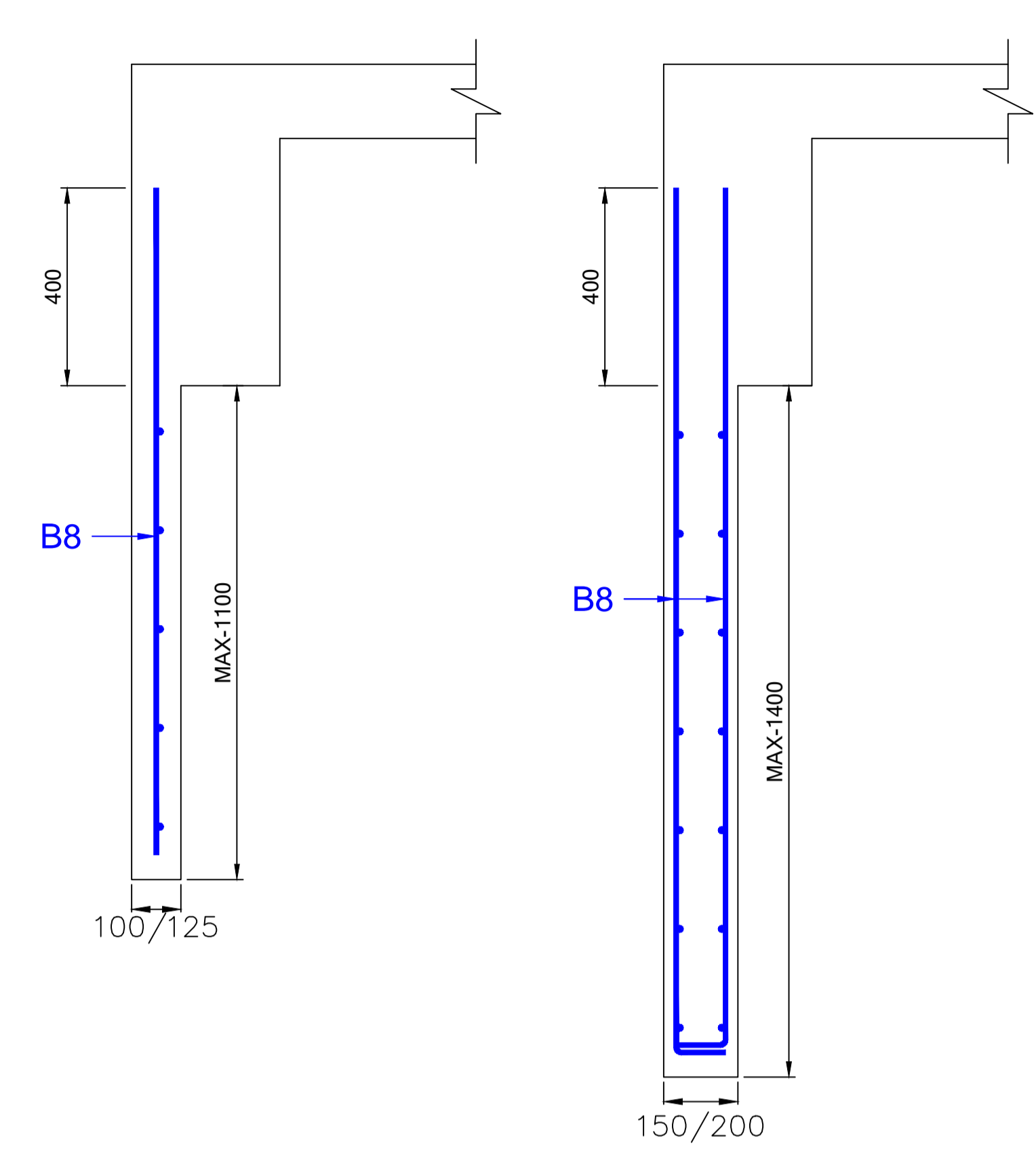


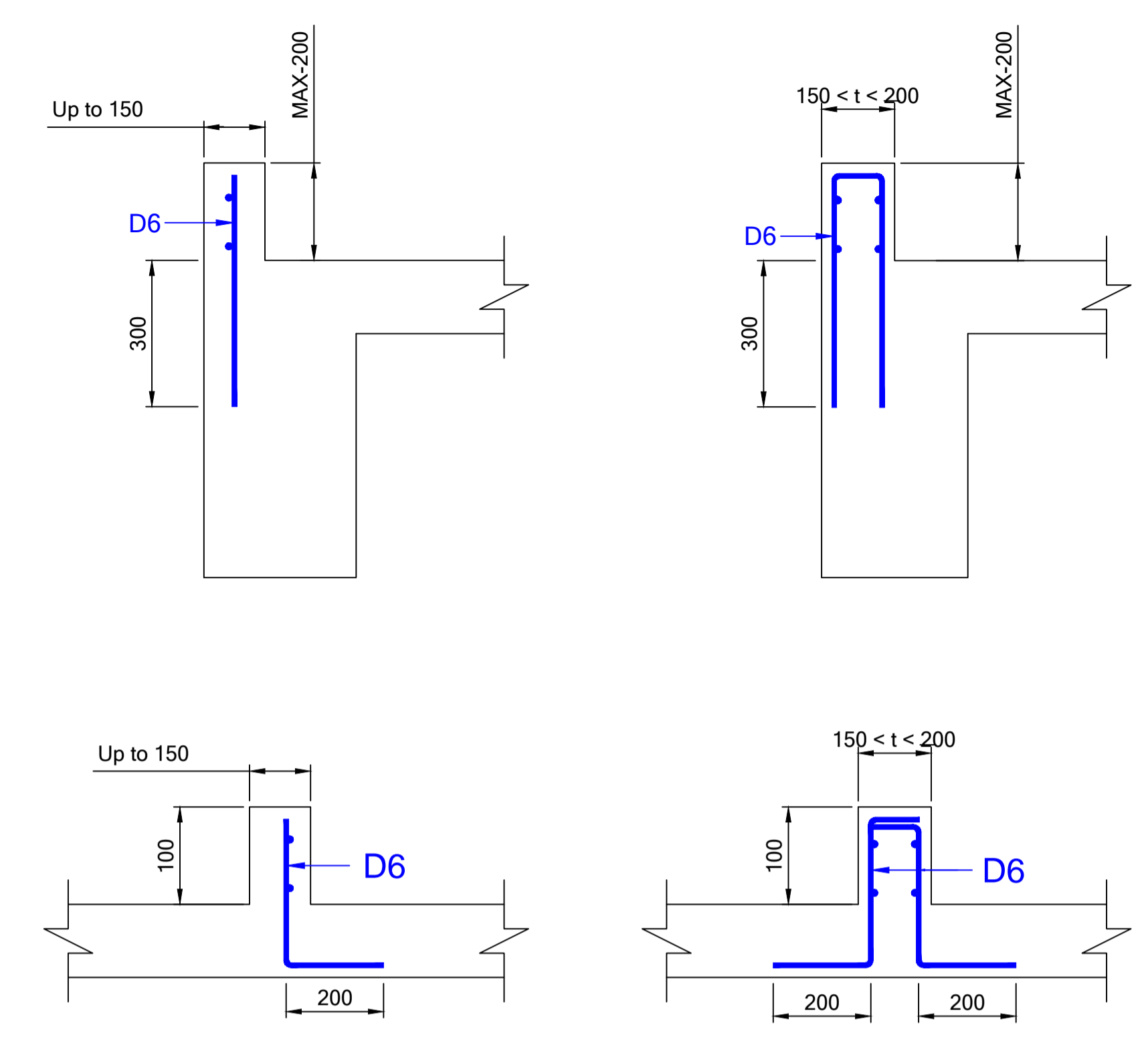
NOTES:
 SUBJECT TO MANUFACTURING AND TRANSPORTATION CONSTRAN.
 Disclaimer: These drawings and detailing are for reference only and BRC is not liable for any consequences from the use of these drawings and detailing.



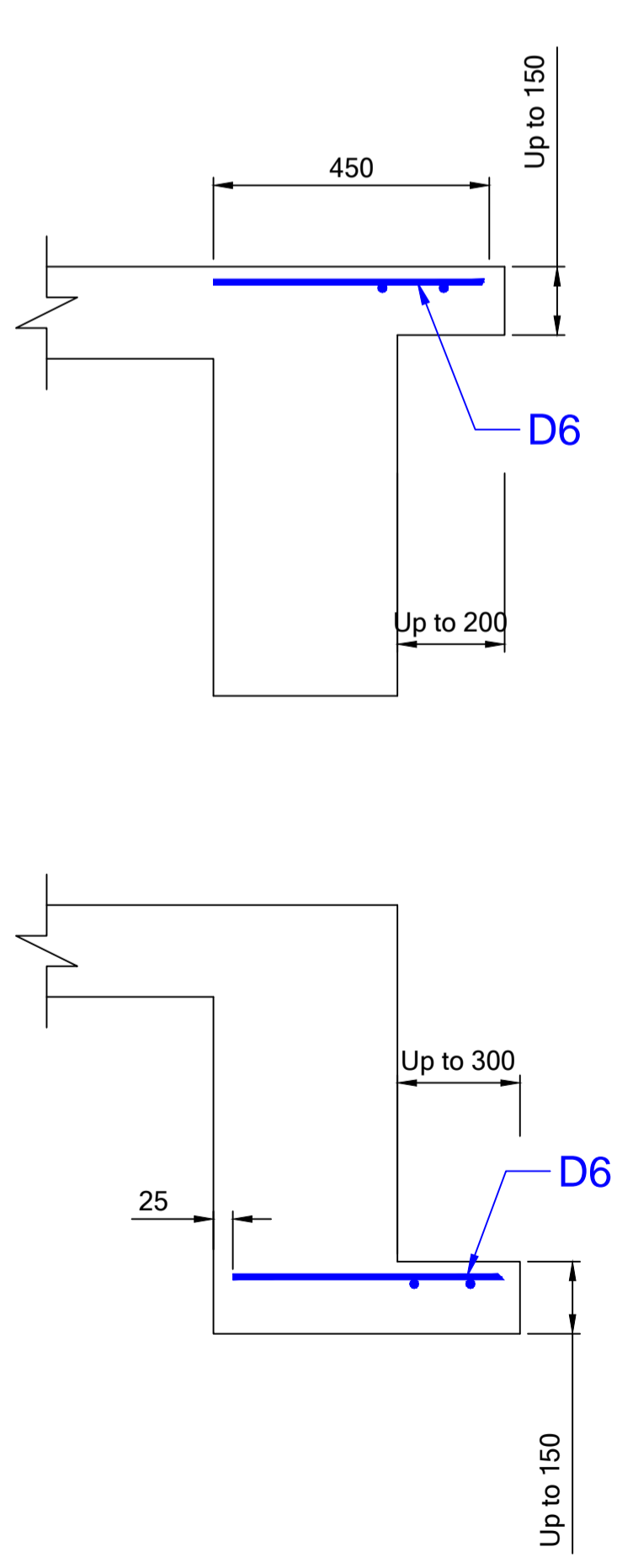
PARAPET WALL DETAILS



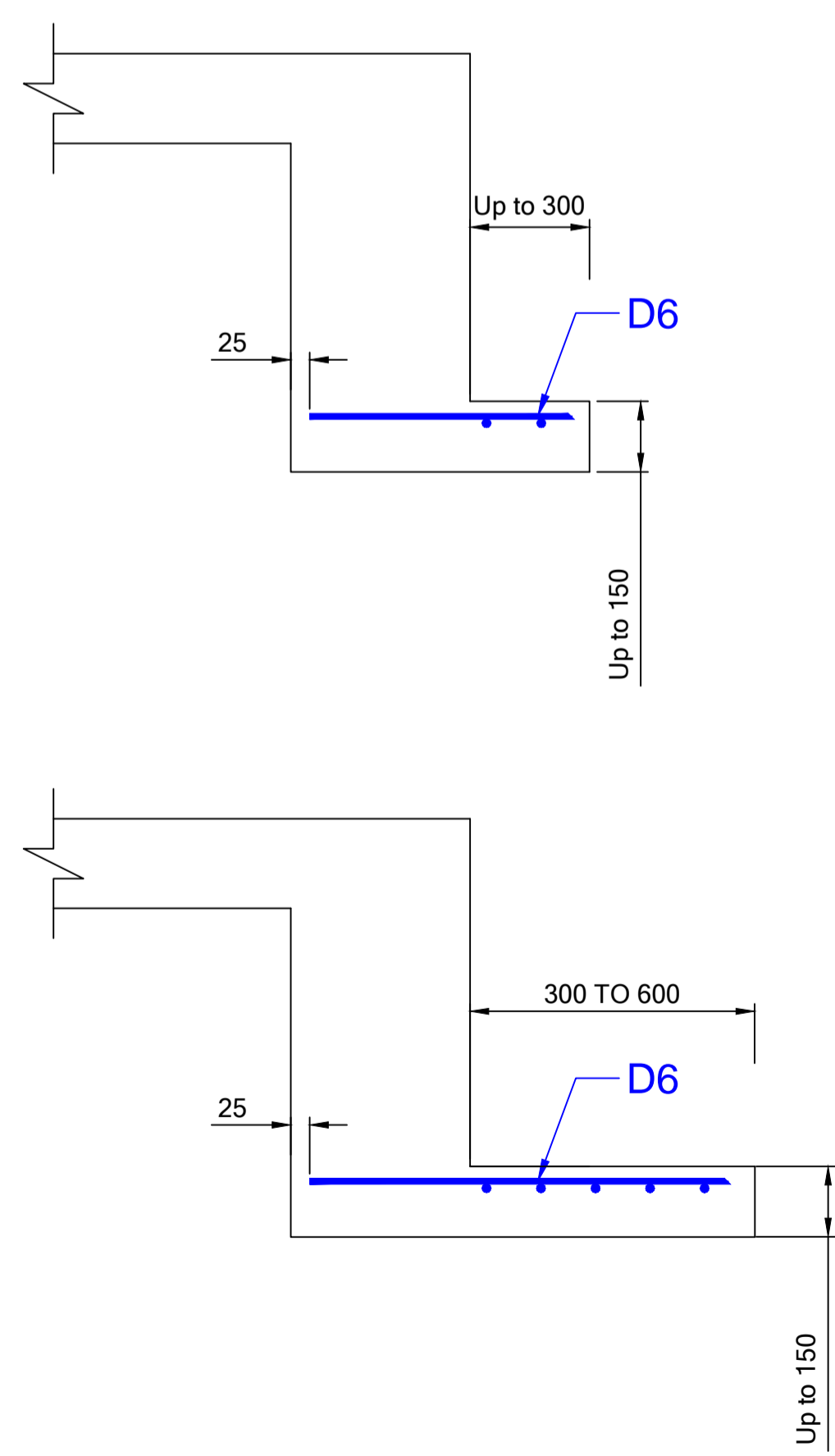
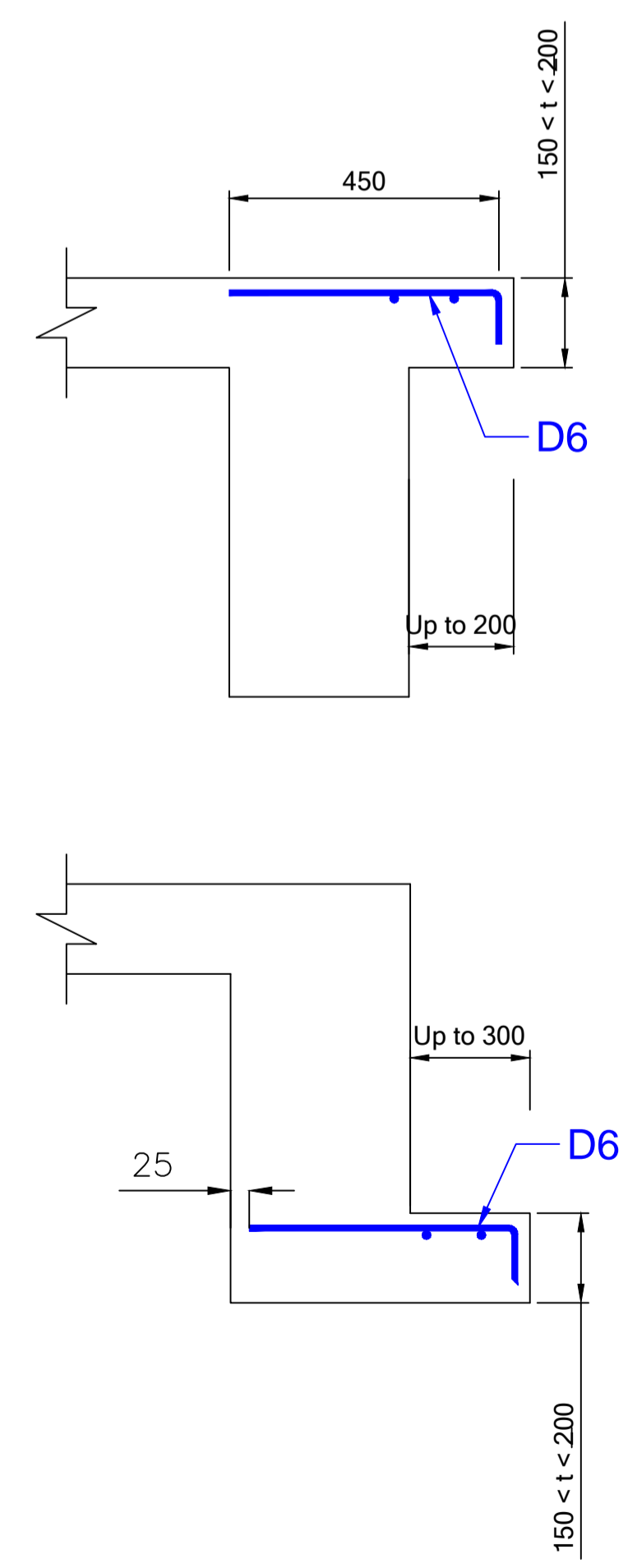
DOWNHANG WALL DETAILS



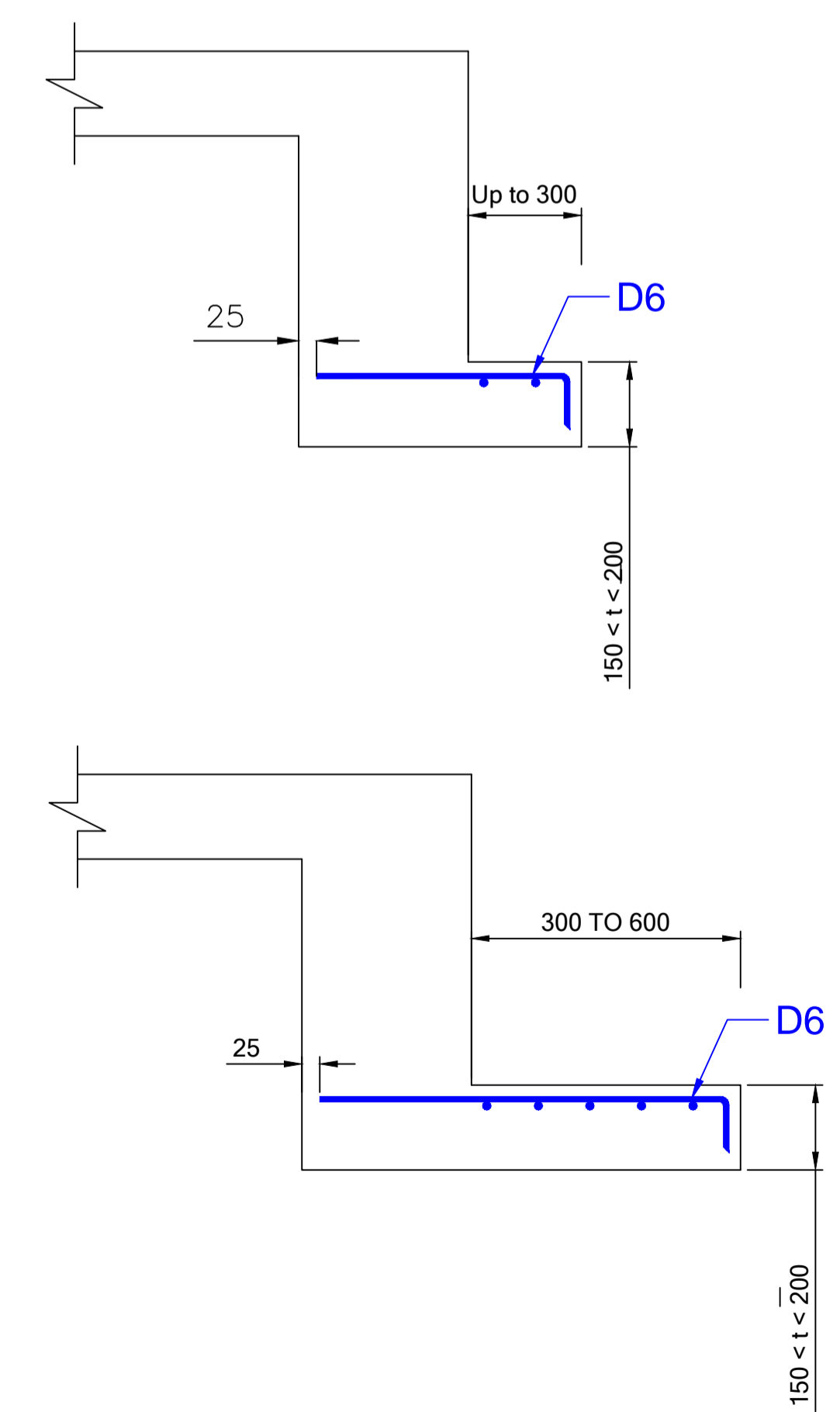
KERB DETAILS



NIB DETAILS



CANOPY DETAILS



BRC Prefab
 The Art of Reinforcing
 BRC ASIA LIMITED
 350 Jalan Boon Lay, Jurong Town, Singapore 619530
 Telephone : 62652333 ; Fax : 62664728 (Engrg) , 62652580 (Mktg)
 Website : www.brc.com.sg , email : sales@brc.com.sg

JOB TITLE :
 GENERAL PROPOSAL FOR
 MISCELLANEOUS ELEMENTS

EXTRACTED FROM DRAWING NO :	
DRAWING NO :	REV :
DATE :	DRAWN BY :
SCALE :	CHECKED BY :
FILE :	